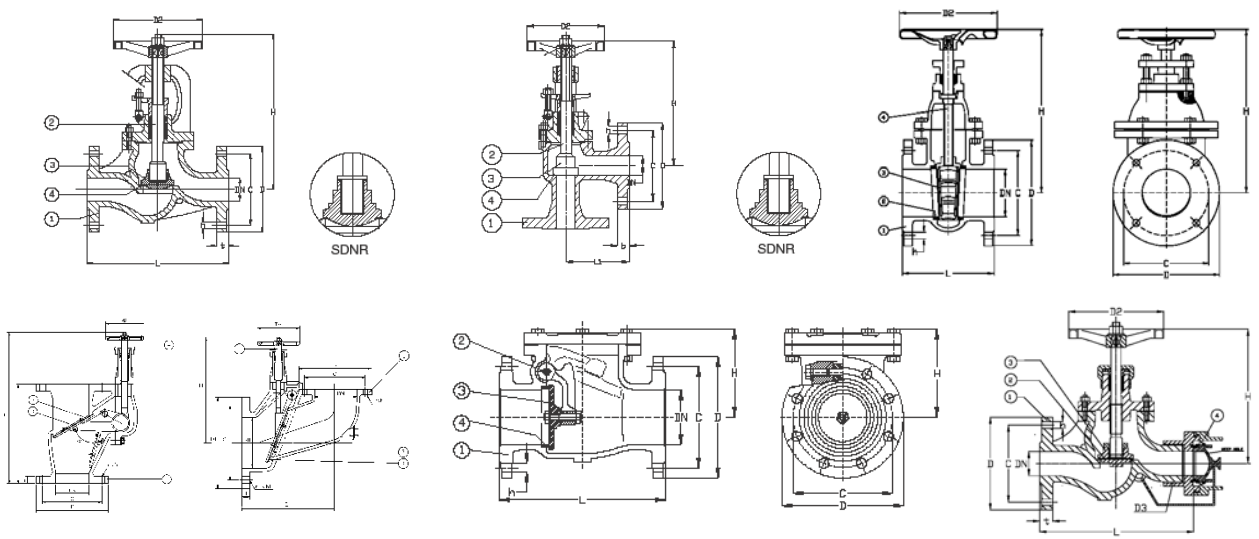


World Wide Metric's Valve Identification Worksheet



Type of Valve:	
DN- Size of bore or Nominal size:	
L- Face to face or L1- Face to Center:	
D- Flange Diameter:	
C- Bolt Circle (Pitch circle diameter):	
Connection type:	
Body material:	
Disc material:	
Stem material:	
Pressure Class:	
Medium:	
Temperature:	
Regular or Check (SDNR) if applicable:	
Other info:	
Material test report required:	
Class certification required:	
Vessel name:	

Copyright 2009. World Wide Metric, Inc. All Rights Reserved

PLEASE COMPLETE THIS FORM BEFORE YOU ORDER!
For assistance, call 732.247.2300 (USA — GMT -5:00)
You can also fax this form to: 732.247.7258

