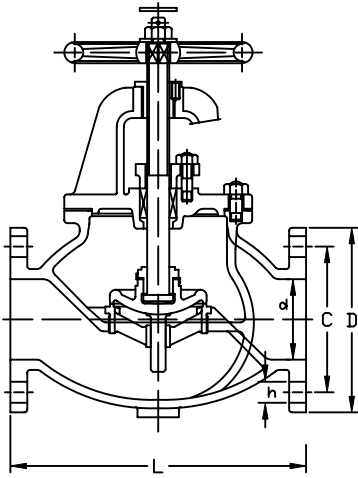
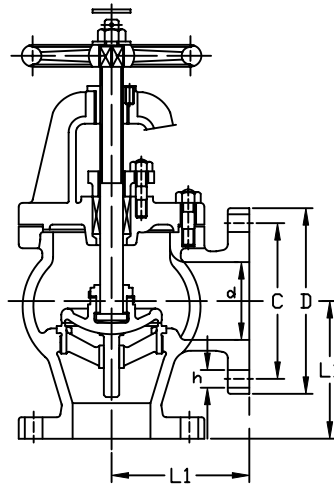


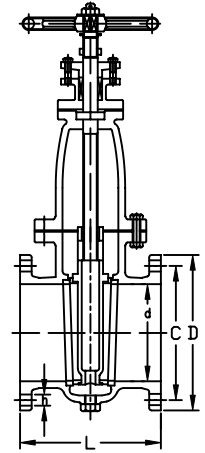
World Wide Metric's Quick Reference Valve Chart



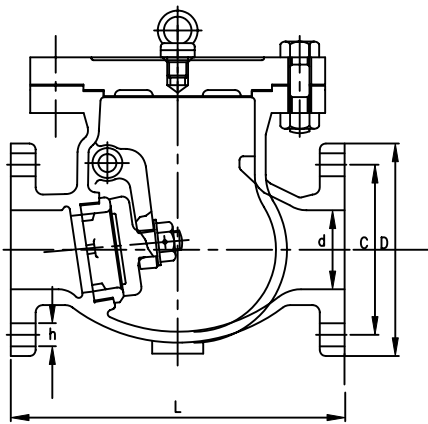
Stop Type Globe Pattern



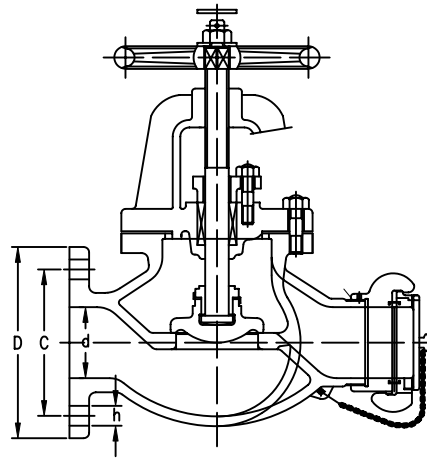
Stop Type Angle Pattern



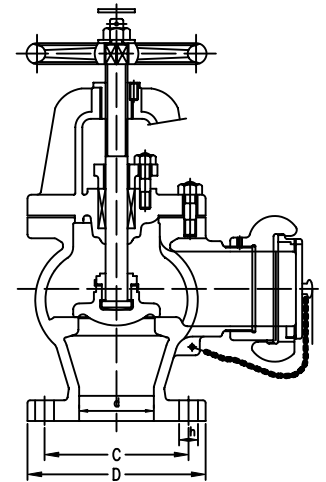
Gate (Sluice)



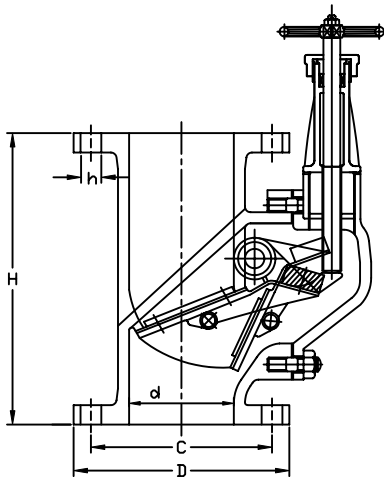
Swing Check



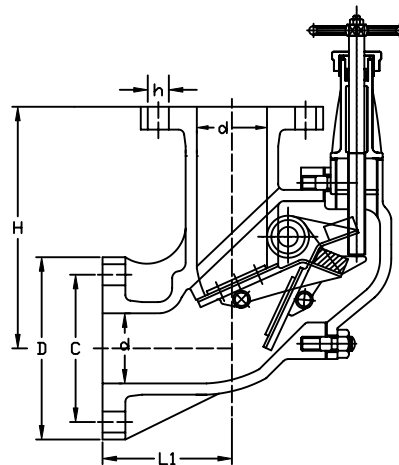
Hose Type Globe Pattern



Hose Type Angle Pattern



Storm (Scupper) Vertical Pattern



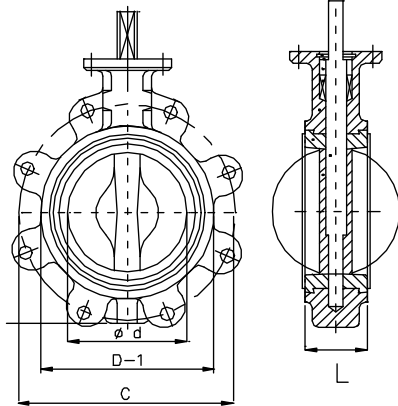
Storm (Scupper) Angle Pattern

If you need technical help or would like to place an order, call 732.247.2300. (USA — GMT -5:00)

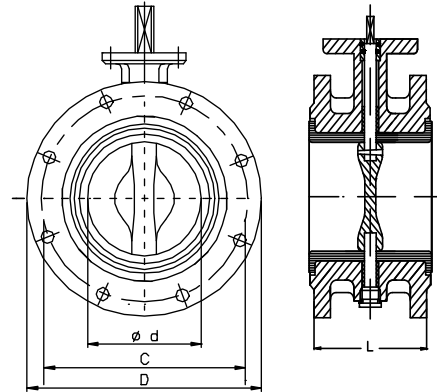


www.worldwidemetric.com

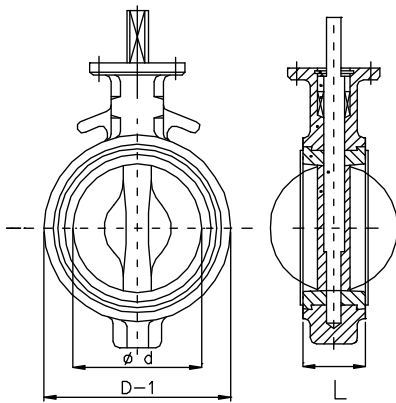
World Wide Metric's Quick Reference Valve Chart



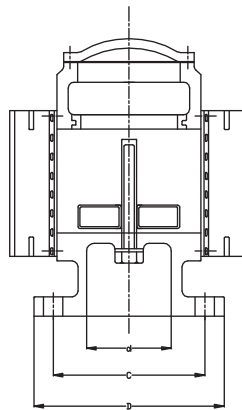
Butterfly Lug Type



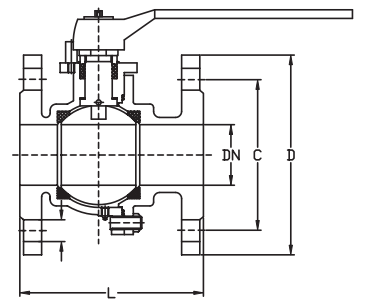
Butterfly Flanged Type



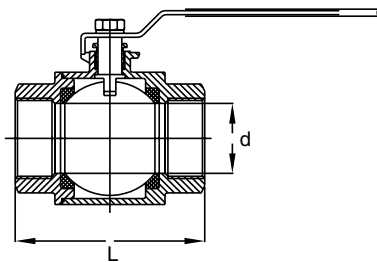
Butterfly Wafer Type



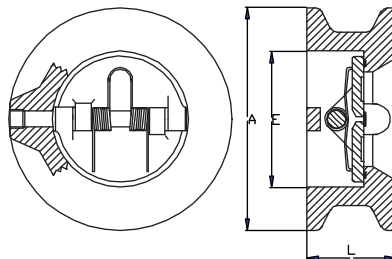
Vent Check



Ball (Flanged Type)



Ball (Threaded Type)



Wafer Duo-Check

If you need technical help or would like to place an order, call 732.247.2300. (USA — GMT -5:00)



www.worldwidemetric.com